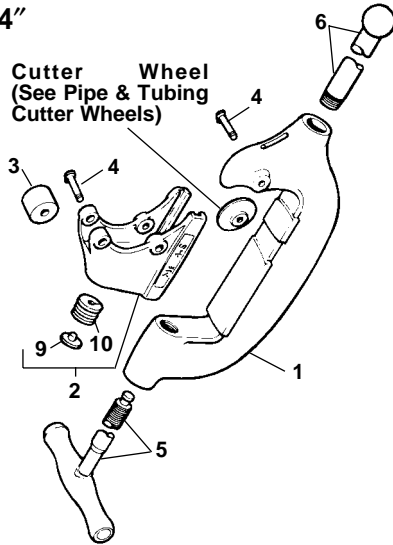


No. 3-S

Capacity: 2", through 3"

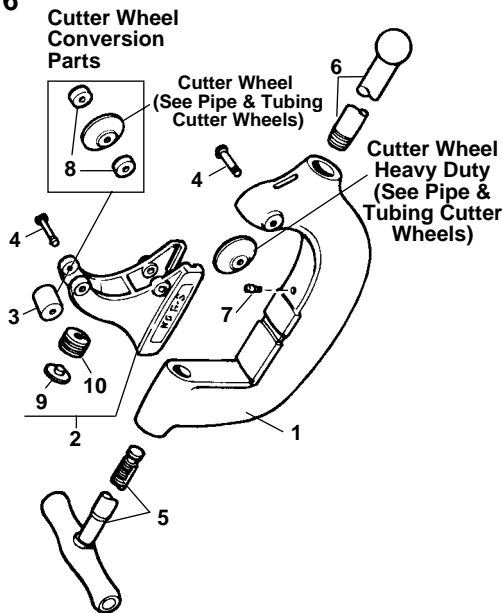
No. 4-S

Capacity: 2", through 4"



No. 6-S

Capacity: 4" through 6"

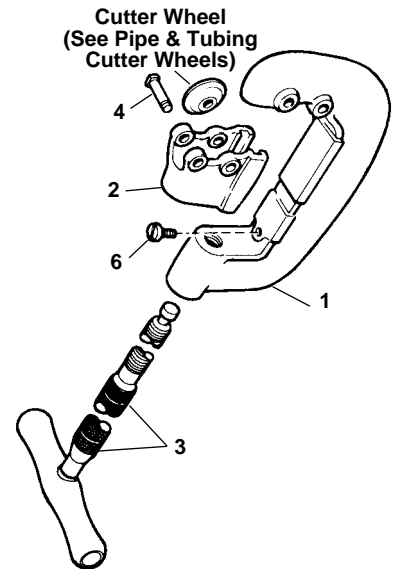


**NOTE: Order parts by Catalog Number only.
DO NOT order by Reference Number.**

| Ref. No. | Description | 3-S 1"-3" | 4-S 2"-4" | 6-S 4"-6" |
|----------|------------------|--------------|--------------|--------------|
| 1 | Frame | 33285 | 33280 | 33275 |
| 2 | Roll Housing | 33390 | 33385 | 33300 |
| 3 | Roll (2) | 34785 | 34785 | 34785 |
| 4 | Pin (3) | 34790 | 34790 | 34790 |
| 5 | Screw Handle | 33515 | 33515 | 33515 |
| 6 | Pipe Handle | 35030 | 35030 | 35030 |
| 7 | Stop Screw | | | 34425 |
| 8 | Wheel Spacer (2) | | | 34855 |
| 9 | Wear Plug | 34320 | 34320 | 34320 |
| 10 | Wear Plug Spring | 34315 | 34315 | 34315 |

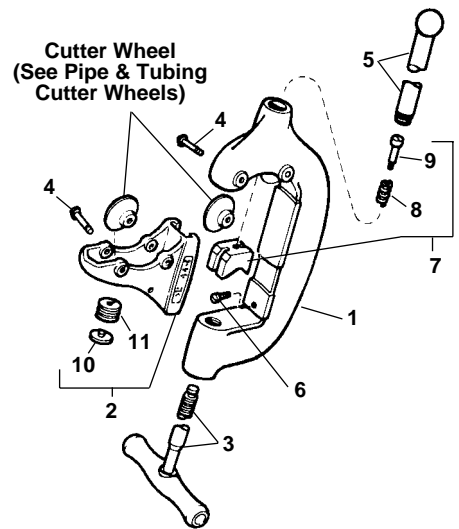
No. 42-A

Capacity: 1/2" through 2" O.D.



No. 44-S

Capacity: 2 1/2" through 4" O.D.



| Ref. No. | Description | 42-A 1/2"-2" | 44-S 2 1/2"-4" |
|----------|----------------------|-----------------|-------------------|
| 1 | Frame | 33295 | 33270 |
| 2 | Cutter Wheel Housing | 33455 | 33345 |
| 3 | Screw Handle | 33590 | 33515 |
| 4 | Wheel Pin (4) | 34780 | 34790 |
| 5 | Pipe Handle | | 35030 |
| 6 | Stop Screw | 34425 | 34425 |
| 7 | Guide Block Assembly | | 34840 |
| 8 | Spring | | 34850 |
| 9 | Shoulder Screw | | 34845 |
| 10 | Wear Plug | | 34320 |
| 11 | Wear Plug Spring | | 34315 |